

WARNING

This appliance is not intended for use by persons (including children) with reduced physical, sensory or mental capabilities, or lack of experience and knowledge, unless they have been given supervision or instruction concerning use of the appliance by a person responsible for their safety. Children should be supervised to ensure that they do not play with the appliance.

This appliance is intended to be used in household and similar applications such as

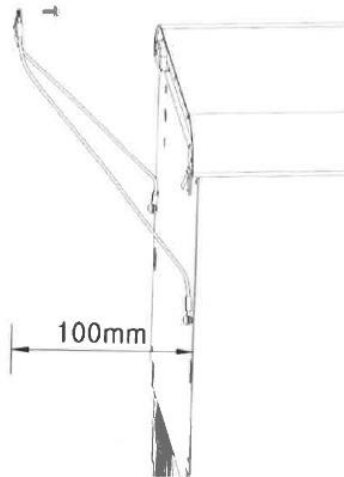
- staff kitchen areas in shops, offices and other working environments;
- farm houses and by clients in hotels, motels and other residential type environments;
- bed and breakfast type environments;
- catering and similar non-retail applications.

WARNING: When positioning the appliance, ensure the supply cord is not trapped or damaged.

WARNING: Do not locate multiple portable socket-outlets or portable power supplies at the rear of the appliance

To avoid a hazard due to instability of the appliance, it must be fixed in accordance with the instructions.

Have 100mm space between the wall and the appliance and install above the floor where it is solid and flat.



If the supply cord is damaged, it must be replaced by the manufacturer, its service agent or similarly qualified persons in order to avoid a hazard.

HOT & COLD WATER PURIFIER

Operation Manual

**Type : Desk Top
Standing**

Please read this manual carefully before operating your set.
Retain it for future reference.
Record model number and serial number of the set.
See the label attached on the set and quote this information to your dealer when you require service.

Remove all packing materials from this product before using it.
This appliance must be installed on a flat surface.
Please ensure the electric supply to this appliance is disconnected before installing.

Please read this instruction carefully. It is advisable to keep this instruction manual in a safe place for future reference.

SAFETY PRECAUTIONS

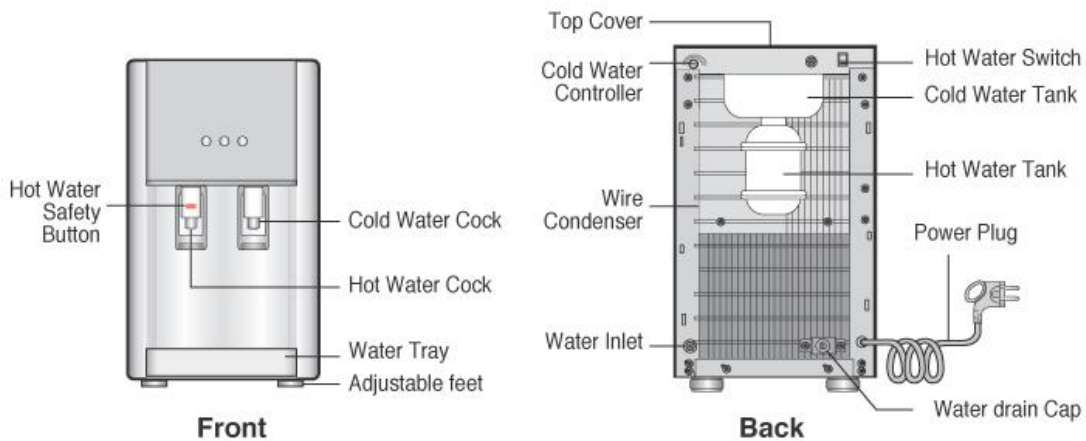
1. Keep electrical appliances out of reach from children.
Do not let them to operate the appliances without supervision.
2. To protect against the risk of electrical shock, do not immerse the product, cord or plug into water or any other liquids.
3. This product is not intended for use by person(including children) with reduced physical, sensory or mental capabilities unless they have been given supervision or instruction concerning use of the appliance by a person responsible for their safety.
4. If the power cord or plug is damaged, it must be replaced by the service centre or a qualified service technician to avoid hazard.

WARNING

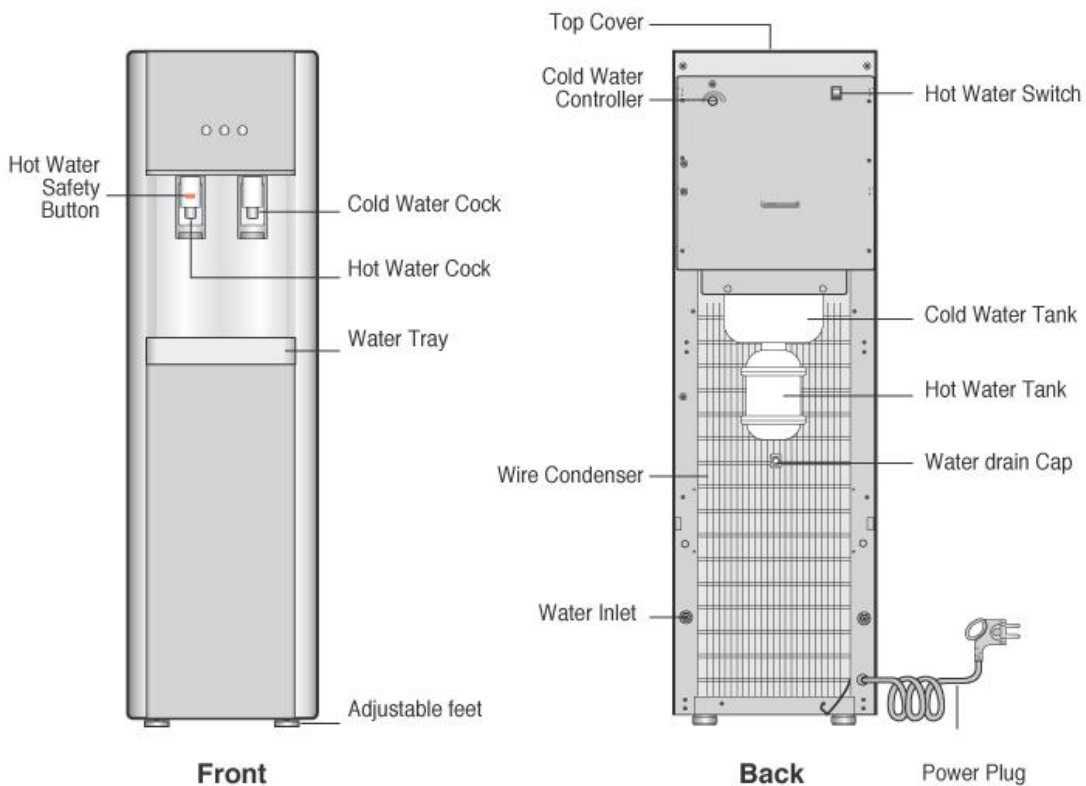
to reduce the risk of fire, electrical shock or injury to persons or property, please read and follow below instructions carefully:

- Always operate the product from a power source of the same voltage, frequency and rating as indicated on the product identification marking.
- Do not operate this product if it has malfunctioned, damaged cord or plug or appears damaged in any way. Return the complete product to the place of purchase for inspection, repair or replacement.
- This product should not be used in the immediate vicinity of water, such as bathtub, washbowls, swimming pool etc. where the likelihood of immersion or splashing could occur.
- Always switch off and unplug the plug from outlet when not in use, before assembling or disassembling parts and before cleaning. Fully assemble the set before operating.
- Avoid contacting with moving parts. Do not insert any object through the guard when the set is operating.
- Always disconnect the appliance when moving it from one location to another.

PRODUCT DESCRIPTION



Desk Top Type



Standing Type

PRODUCT FEATURE

1. Fashionable Design:

- Stylish design.
- Space saver-Sleek, modern shape, takes less space.
- Safety cock for children is available on the Hot & Cold Water Purifier as option.

2. Excellent cooling efficiency:

- High efficiency compressor operated for efficient water temperature recovery.
- You can enjoy cold water in 60minutes after supplying tap water into water purifier for the first time.
- You can get 4°C-10°C cold water from the cold water tank within one hour. Stainless steel cold water tank.

3. Excellent heating efficiency:

- You can enjoy hot water in 30minutes after supplying tap water into water purifier for the first time.
- You can get 75°C-85°C hot water within 30 minutes.
- Stainless steel hot water tank.

4. Structural Design:

- The design ensures structural strength enough to carry fairly strong weight burden thanks to well designed weight allocation and using durable materials.

CHARACTERISTICS OF FILTER

Stage	Filter Name	Characteristics
1st	Sediment filter	This filter removes sediment particles such as dust and sand and it protects pre-carbon filter from being clogged.
2nd	Pre-carbon filter	This filter removes chemicals, toxins, chlorine.
3rd	U/F membrane filter	This filter removes bacteria and impurity inside water effectively.
4th	Post-carbon filter	This filter increases water quality and removes gas and bad odor.

- ※ Filter life depends on local place' s water quality, temperature and pressure.
- ※ This filter should be used with tap water only, not underground water.

INSTALLATION

- Close main water valve before installation.
- Connect adaptor to the cold water pipe(only).
- Connect inlet tube to the adaptor.
- Open main water valve and drain water from hot/cold water faucet of the unit.
- Connect power plug to the socket and turn on the hot water switch in the rear.
- After electricity is applied, it takes about 30 minutes for hot water and 60 minutes for cold water to serve.
- Please drain all water in the unit if you will not use for long period.

TROUBLESHOOTING

Problem	Causes	Troubleshoot
Hot and Cold water neither available	Power disconnected from the socket.	Check if power plug is connected to the socket.
	Fuse burnt.	Replace fuse.
Cold water not available	Cold water thermostat is in the range of low.	Adjust cold water thermostat.
	Excessive use of cold water.	Wait until the cold water has chilled enough.
	The ventilation around unit is insufficient.	Keep unit apart from the wall more than 15cm.
	The cold water baffle inside of reservoir has been seperated.	Connect cold water baffle tightly.
Hot water not available	Excessive use of hot water.	Wait until the hot water has heated enough.
	The hot water switch in the off position.	Turn the hot water switch on.
Noise	Unit is not level.	Install the unit on leveled surface.
Water leakage	Connecting hose became loose.	Check if hoses and fittings are connected correctly.

MAIN SPECIFICATION

Item	Hot & Cold Water Purifier	
Type	Desk Top Type	Standing Type
Heating	300W / 430W	500W / 430W
Filter System	U/F Filtration System	
Voltage / Hz	100,110,220~240V / 50,60Hz	
Cooling	0.7A	
Climate Class	T	
Water Tank Material	Stainless Steel	
Refrigerant	R-134a	
Max. Inlet Water Pressure	7kgf/cm ²	
Country of Origin	The Republic of Korea	

MAINTENANCE

- Always unplugged before cleaning unit.
- Do not use any detergent and chemical
- Clean the appliance with a damp cloth with mild cleaner.
Do not use chemical, steel, wooden or abrasive cleaners to clean the appliance.
- After cleaning unit, please completely dry unit before connecting to the electrical mains.

ELECTRICAL USAGE

Always operate the product from a power source of the same voltage, frequency and rating as indicated on the product identification marking.

WARRANTY

We warranty 1 year after shipment date under normal using condition.

NOTICE

This product must not be disposed together with domestic waste.
It has to be disposed at an authorized place for recycling of electrical and electronic appliances.
By collecting and recycling waste, you help to save natural resources and make sure the product is disposed in an environmental friendly and healthy way.

